

1

2

3

4

5

6

A

B

C

D

E

F

A

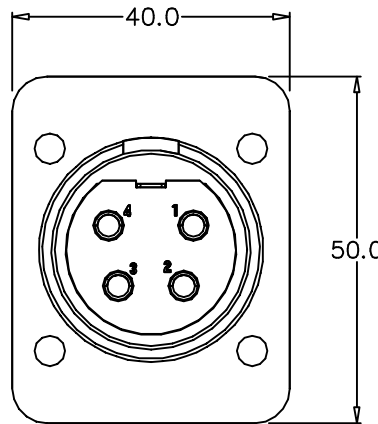
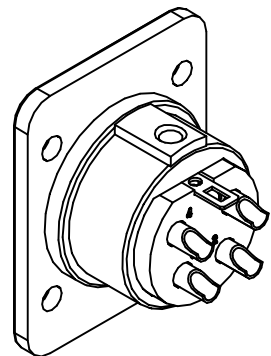
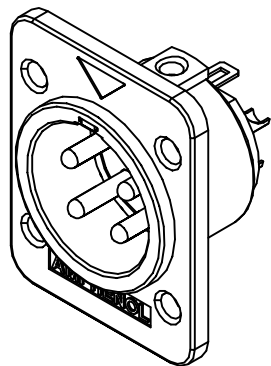
B

C

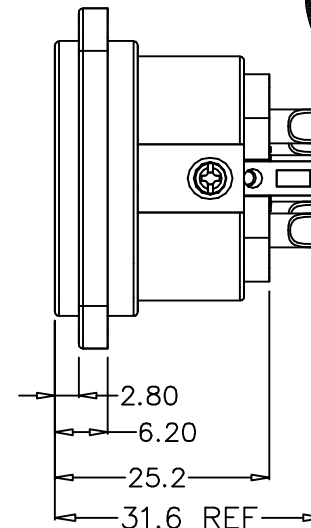
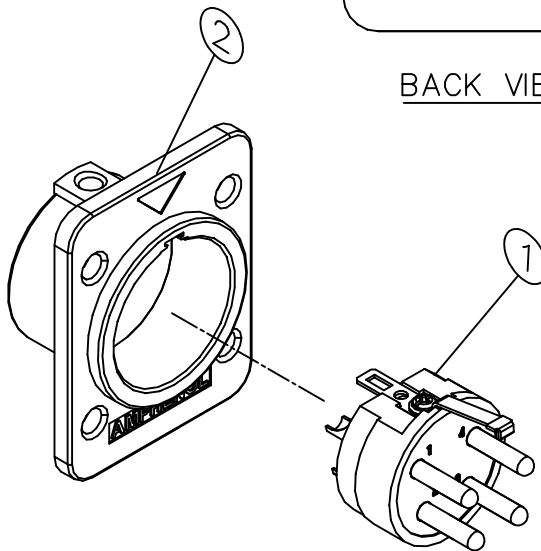
D

E

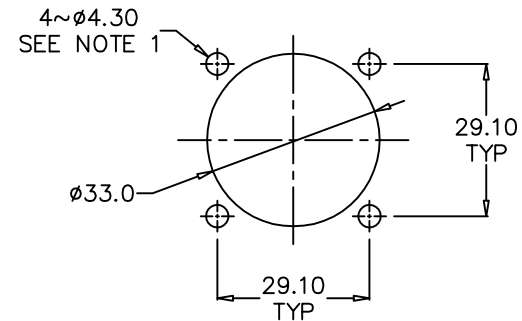
F



BACK VIEW



TOP VIEW



PANEL CUT OUT



AP-*22 TYPE	EP/AP INSERT P/N
AP - 3 - 22	156-4402-003
AP - 4 - 22	156-4402-004
AP - 5 - 22	156-4402-005
AP - 6 - 22	156-4402-006
AP - 8 - 22	156-4402-008

NOTE: 1. THE DIAMETER OF THE 4 MOUNTING HOLES ON THE PANEL CUT OUT DEPENDS ON THE SIZE OF THE SCREW TO BE USED
 2. FOR EXAMPLE: FOR AN AP-4-22 USE ASSY No. 128157-0004

3	UPDATE TO AMPHENOL TITLE BLOCK & LOGO REDRAW, ADD BOM & PANEL CUT OUT	M.N.H.	24-04-01	7791
2	REFER TO CHANGE NOTE 6253	R.D.	18-09-95	6253
0	FIRST ISSUE	S.M.D	05-03-90	----
REV.	CHANGE DETAILS	BY	DATE	CHG/No

UNLESS OTHERWISE SPECIFIED TOLERANCE TO BE		THIS DOCUMENT IS THE PROPERTY OF AMPHENOL AUSTRALIA PTY. LTD.. NO PART THEREOF MAY BE REPRODUCED AND USED WITHOUT THE PRIOR WRITTEN CONSENT OF THE OWNER			
LINEAR	ANGULAR	CAD FILE: 00813100	DRN: S.M.D	DATE: 05-03-90	TITLE:
X ± 0.50	X' ± 1'	BREAK ALL SHARP EDGES AND REMOVE ALL BURRS	CKD: T.N	DATE: 18-09-01	AP-*22 CUSTOMER/ASSEMBLY DRAWING
X.X ± 0.25	X'X' ± 30'	DO NOT SCALE	APP'D: P.M	DATE: 11-10-01	
X.XX ± 0.10	X'X'X' ± 15'	DIMENSIONS IN MILLIMETRES	SCALE: 2:1 UOS	PART No: 128157-000*	SIZE: A3

ITEM	PART No.	DWG No.	DESCRIPTION	QTY
2	248-4422-000	248-4422-000	AP MRK II 22 SHELL	1
1	SEE CHART	SEE CHART	EP/AP PIN INSULATOR ASSEMBLY	1

Amphenol Amphenol Australia Pty Ltd, 2 Fineways Blvd, Keysborough, Vic 3173	
DRAWING NO.	SHEET
128157-000*	1 OF 1

1

2

3

4

5

6