

1

2

3

4

5

6

A

B

C

D

E

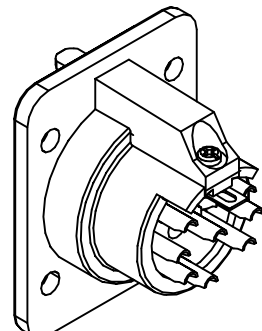
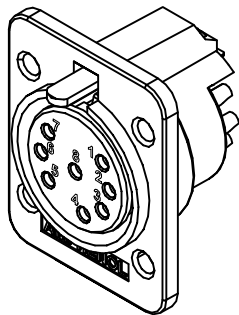
A

B

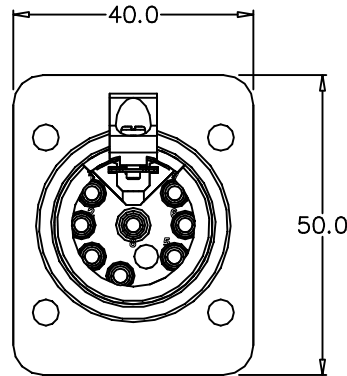
C

D

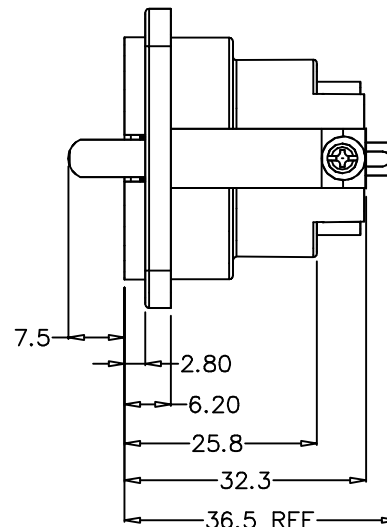
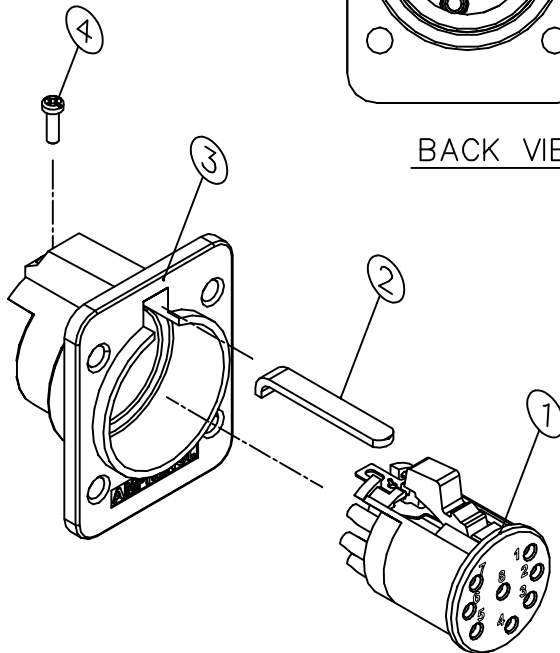
E



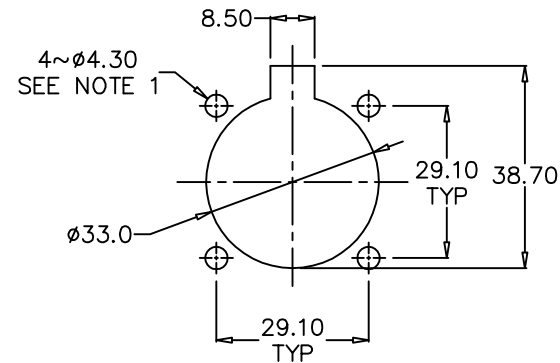
ISO VIEW



BACK VIEW



TOP VIEW



PANEL CUT OUT



| AP-*--21 TYPE | EP/AP INSERT P/N |
|---------------|------------------|
| AP - 3 - 21   | 156-4401-003     |
| AP - 4 - 21   | 156-4401-004     |
| AP - 5 - 21   | 156-4401-005     |
| AP - 6 - 21   | 156-4401-006     |
| AP - 8 - 21   | 156-4401-008     |

NOTE: 1. THE DIAMETER OF THE 4 MOUNTING HOLES ON THE PANEL CUT OUT DEPENDS ON THE SIZE OF THE SCREW TO BE USED  
 2. FOR EXAMPLE: FOR AN AP-8-21 USE ASSY No. 128156-0008

| ITEM | PART No.     | DWG No.      | DESCRIPTION                | QTY |
|------|--------------|--------------|----------------------------|-----|
| 5    | 990-4501-000 | 990-4501-000 | 2-32 PAN HEAD SCREW, SHORT | 1   |
| 4    | 990-4400-000 | 990-4400-000 | 2-32 PAN HEAD SCREW, LONG  | 1   |
| 3    | 248-4421-000 | 248-4421-000 | AP MRK II 21 SHELL         | 1   |
| 2    | 208-4001-000 | 208-4001-000 | EP/AP LATCH LEVER          | 1   |
| 1    | REFER CHART  | REFER CHART  | EP SOCKET INSULATOR ASSY   | 1   |

|                                            |              |                                                                                                                                                          |                      |
|--------------------------------------------|--------------|----------------------------------------------------------------------------------------------------------------------------------------------------------|----------------------|
| UNLESS OTHERWISE SPECIFIED TOLERANCE TO BE |              | THIS DOCUMENT IS THE PROPERTY OF AMPHENOL AUSTRALIA PTY. LTD.. NO PART THEREOF MAY BE REPRODUCED AND USED WITHOUT THE PRIOR WRITTEN CONSENT OF THE OWNER |                      |
| LINEAR                                     | ANGULAR      | CAD FILE: 00812100                                                                                                                                       | DRN: S.M.D           |
| X ± 1.00                                   | X' ± 1'      | MATL: REFER TO COMPONENT                                                                                                                                 | DATE: 05-03-90       |
| X,X ± 0.50                                 | X,X' ± 30'   | FINISH: REFER TO COMPONENT                                                                                                                               | DATE: 18-09-01       |
| X,XX ± 0.20                                | X'X'X' ± 15' | DO NOT SCALE                                                                                                                                             | DATE: 11-10-01       |
| DIMENSIONS IN MILLIMETRES                  |              | SCALE: 2:1 UOS                                                                                                                                           | PART No: 128156-000* |

|      |                                                                               |        |          |        |
|------|-------------------------------------------------------------------------------|--------|----------|--------|
| 3    | UPDATE TO AMPHENOL TITLE BLOCK & LOGO REDRAW, ADD BOM & PANEL CUT OUT DETAILS | M.N.H. | 24-04-01 | 7790   |
| 2    | REFER TO CHANGE NOTE 6253                                                     | R.D.   | 18-09-95 | 6253   |
| 0    | FIRST ISSUE                                                                   | S.M.D  | 05-03-90 | ----   |
| REV. | CHANGE DETAILS                                                                | BY     | DATE     | CHG/No |

**AP-\*21 CUSTOMER/ASSEMBLY DRAWING**

**Amphenol**  
 Amphenol Australia Pty Ltd, 2 Fineways Blvd, Keysborough, Vic 3173

DRAWING NO. 128156-000\*  
 SHEET 1 of 1

1

2

3

4

5

6

F

F